



**Exposed LINUS Trend shower panel.**  
By SCHELL.



## LINUS Trend shower panel. Rely on durable value in shower area.

Showers in public, semi-public and commercial environment have to meet special requirements. The LINUS Trend shower panel not only scores points with its timeless, robust stainless steel design, but also with its easy cleaning, while at the same time providing optimum hygiene protection. Convenient one-person assembly makes installation of the panel simple and efficient. For users, a pleasant shower is the perfect end to their visit to a sports facility or leisure centre. Requirement: the shower area appeals to the user with a clean, high-quality design.

The right equipment for new buildings and renovations therefore has to meet a number of requirements at the same time. It must be robust but appealing, easy to install and low-maintenance, hygienic and user-friendly.

As experts for fittings in public, semi-public or commercial sanitary facilities, SCHELL provides the right solution: LINUS Trend shower panel

### Overview of advantages:

- Protection against vandalism and corrosion thanks to robust stainless steel with a high-quality surface
- With a fitted shower head and/or convenient hand shower
- Water-saving self-closing technology
- For mixed water and pre-mixed water
- Low installation height, ideal for combination with shower trays
- One-person assembly
- Easy-to-clean housing and surfaces
- Timeless linear design
- Maintenance-friendly engineering
- Good price-performance ratio and low operating costs

SCHELL's LINUS Trend shower panel makes the shower area fully functional, easy to clean and maintain, as well as pleasant to use, and keeps it that way. At the same time, installation is easy and efficient, both in new buildings and for renovation.

## LINUS Trend DP-SC-T. Self-closing (thermostat).



**LINUS Trend DP-SC-T**  
Robust stainless steel shower panel with high-quality surface and integrated SCHELL shower fitting  
Type: LINUS Trend DP-SC-T

**Function:**  
Self-closing (thermostat)

- Product features:**
- Flow rate: 9.0l/min (pressure independent)
  - Flow pressure: 1.0-5.0 bar
  - Water temperature: max. 70°C (short-time-use, e.g. for manual thermal disinfection)
  - Flow time setting: 5 - 30 s
  - With integrated backflow preventer
  - With integrated shut-off valve
  - With filter
  - Tried-and-tested SC technology
  - Panel dimensions: 1263 x 220 x 70 mm
  - Panel prepared for connections from the wall, as well as connection lines from above/from the ceiling

**LINUS Trend DP-SC-T  
with COMFORT shower head**  
Item no. 008332899



**LINUS Trend DP-SC-T-H  
with hand shower and shower rail**  
Robust stainless steel shower panel with high-quality surface and integrated SCHELL shower fitting  
Type: LINUS Trend DP-SC-T-H

**Function:**  
Self-closing (thermostat)

- Product features:**
- Scalding protection
  - With 3-way adjustable hand shower and modern shower hose

**with COMFORT shower head**  
Item no. 008342899



**LINUS Trend DP-SC-T-D-H  
with shower head and hand shower**  
Robust stainless steel shower panel with high-quality surface and integrated SCHELL shower fitting  
Type: LINUS Trend DP-SC-T-D-H

**Function:**  
Self-closing (thermostat)  
with scalding protection

- Product features:**
- Scalding protection
  - With 3-way adjustable hand shower and modern shower hose
  - Flexibly mountable holder for hand shower

**with COMFORT shower head**  
Item no. 008352899

## LINUS Trend DP-SC-M and DP-SC-V.

Self-closing technology (mixed water and pre-mixed water).



### LINUS Trend DP-SC-M

Robust stainless steel shower panel with high-quality surface and integrated SCHELL shower fitting  
Type: LINUS Trend DP-SC-M

#### Function:

Self-closing (mixed water)

#### Product features:

- Flow rate: 9.0l/min (pressure independent)
- Flow pressure: 1.0-5.0 bar
- Water temperature: max. 70°C (short-time-use, e.g. for manual thermal disinfection)
- Flow time setting: 5 - 30 s
- With integrated backflow preventer
- With integrated shut-off valve
- With filter
- Tried-and-tested SC technology
- Panel dimensions: 1263 x 220 x 70 mm
- Panel prepared for connections from the wall, as well as connection lines from above/from the ceiling

### LINUS Trend DP-SC-M

with COMFORT shower head  
Item no. 008312899



### LINUS Trend DP-SC-V

Robust stainless steel shower panel with high-quality surface and integrated SCHELL shower fitting  
Type: LINUS Trend DP-SC-V

#### Function:

Self-closing  
(pre-mixed water)

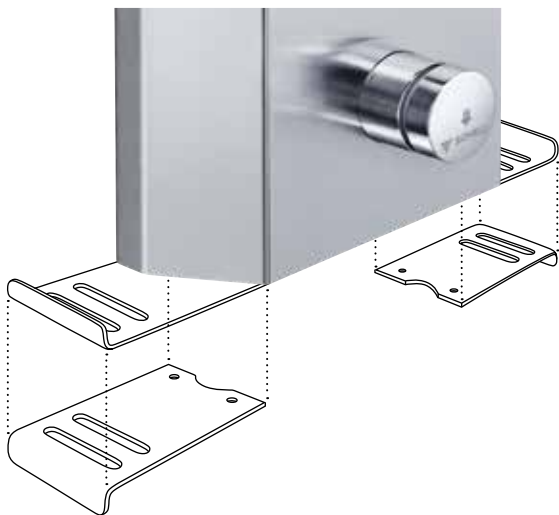
### LINUS Trend DP-SC-V

with COMFORT shower head  
Item no. 008322899



## LINUS Trend soap tray.

Flexible and easy to fit.



### LINUS Trend soap tray

Robust stainless steel soap tray with high-quality surface

#### Product features:

- Simple to fit in four different positions
- Easy to clean
- Separate storage area without any complicated wall mounting
- Hard-wearing and corrosion-proof, as made entirely of stainless steel
- Linear design with practical drainage channels
- Dimension: 11 × 6.7 × 1.2 cm

### LINUS Trend soap tray

Item no. 00 836 28 99

The LINUS Trend soap tray can be fitted to the right and left of LINUS Trend shower panel, but also with the end rim pointing down or up.



SCHELL GmbH & Co. KG  
Armaturentechnologie  
Raiffeisenstraße 31  
57462 Olpe  
Germany  
Tel. +49 2761 892-0  
Fax +49 2761 892-199  
info@schell.eu  
www.schell.eu

 **SCHELL**